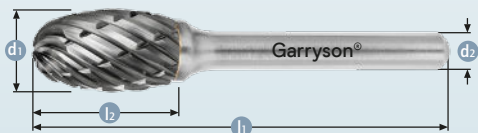
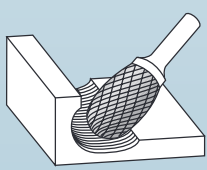


- 1 
- 2 
- 3 
- 4 
- 5 
- 6 
- 7 
- 8 
- 9 
- 10 
- 11 







SHAPE **E, TRE, SE**

Oval



Cutting data | Movie

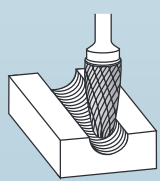
 809 

Tool No.	Art.	d1	l2	d2	l1	brazed	solid
SE-5M	GT5700-STEEL	12.7	22.0	6.0	67.0	✓	







SHAPE **F, RBF, SF**

Ball nosed tree



Cutting data | Movie

 809 

Tool No.	Art.	d1	l2	d2	l1	brazed	solid
SF-1M	GT9400-STEEL	6.0	18.0	6.0	50.0		✓
SF-2M	GT9500-STEEL	8.0	20.0	6.0	65.0	✓	
SF-3M	GT9600-STEEL	9.6	19.0	6.0	64.0	✓	
SF-5M	GT9700-STEEL	12.7	25.0	6.0	70.0	✓	