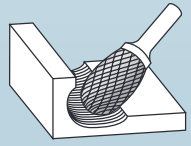


- 1 
- 2 
- 3 
- 4 
- 5 
- 6 
- 7 
- 8 
- 9 
- 10 
- 11 







SHAPE **E, TRE, SE**

Oval



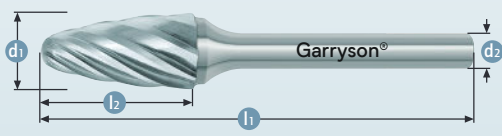
Cutting data | Movie

 803 

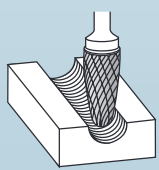
Tool No.	Art.	d1	l2	d2	l1	brazed	solid
SE-3MNF	GTTA550	9.6	16.0	6.0	60.0	✓	
SE-5MNF	GTTA570	12.7	22.0	6.0	66.0	✓	
*SE-6MNF	GTTA580-6	16.0	25.0	6.0	70.0	✓	
SE-7MNF	GTTA590-6	19.0	25.0	6.0	70.0	✓	
SE-7M8NF	GTTA590	19.0	25.0	8.0	70.0	✓	

*8 mm shanks optional







SHAPE **F, RBF, SF**

Ball nosed tree



Cutting data | Movie

 803 

Tool No.	Art.	d1	l2	d2	l1	brazed	solid
SF-1MNF	GTTA940	6.0	19.0	6.0	50.0		✓
SF-3MNF	GTTA960	9.6	19.0	6.0	64.0	✓	
SF-5MNF	GTTA970	12.7	25.0	6.0	70.0	✓	
SF-6MNF	GTTA980-6	16.0	25.0	6.0	70.0	✓	
SF-6M8NF	GTTA980	16.0	25.0	8.0	70.0	✓	
*SF-14MNF	GTTA990-6	19.0	32.0	6.0	76.0	✓	
SF-14M8NF	GTTA990	19.0	32.0	8.0	76.0	✓	

*8 mm shanks optional